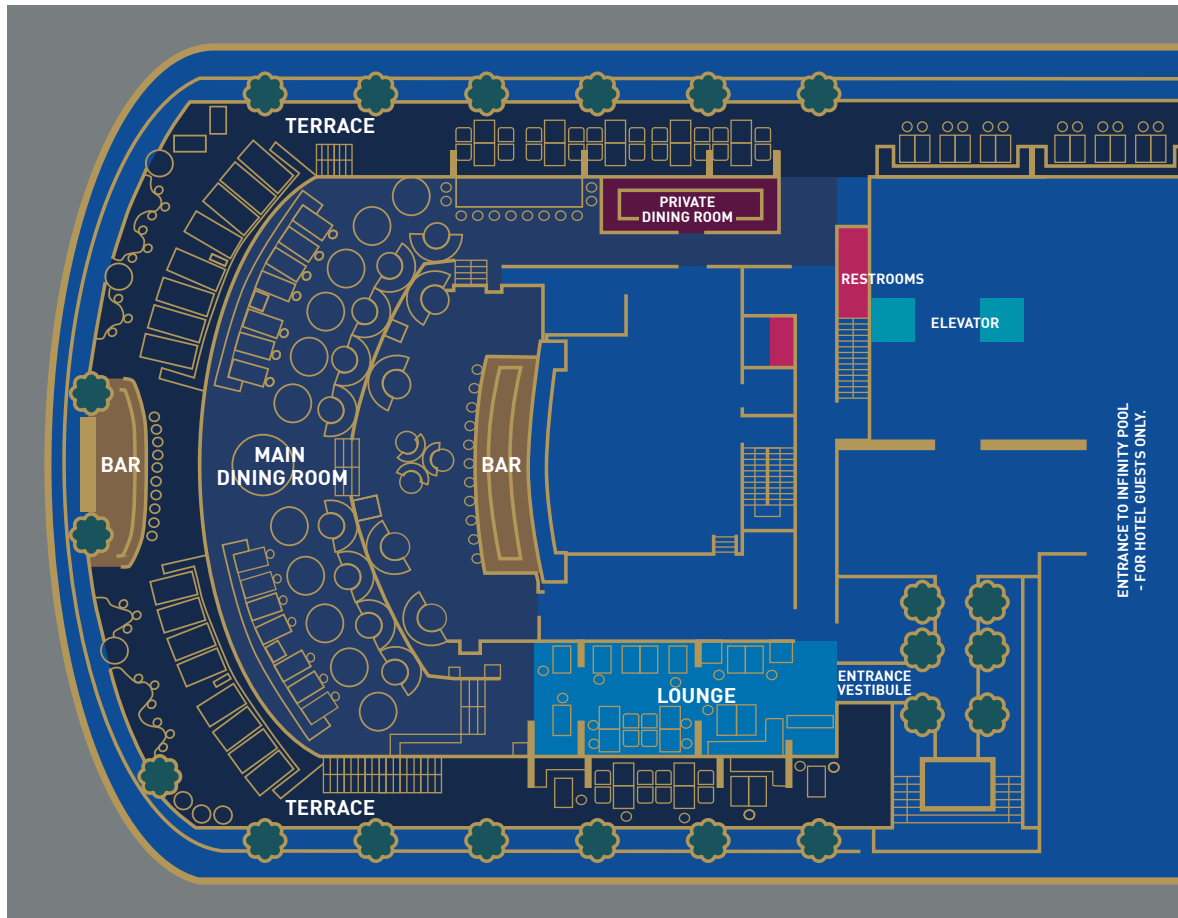


The logo for LAVO SINGAPORE is centered on the page. The word 'LAVO' is written in a large, bold, gold-colored sans-serif font. The letter 'L' has a horizontal bar extending to the left. The letter 'A' has a diagonal bar extending from the top-left to the bottom-right. The letter 'V' has a diagonal bar extending from the top-right to the bottom-left. The letter 'O' is a solid gold circle with a registered trademark symbol (®) to its upper right. Below 'LAVO', the word 'SINGAPORE' is written in a smaller, gold-colored sans-serif font, flanked by two gold dots on either side.

LAVO[®]
· SINGAPORE ·

Set against Singapore's spectacular skyline at 57-storeys above ground with 180 degree views of the city, LAVO is a sleek and contemporary Italian American restaurant that flaunts a luxurious lounge complete with a fully-equipped DJ booth. As the music gets pumping, rock the night away with handcrafted cocktails at the sprawling outdoor bar and terrace.



LAVO SINGAPORE

SPECIFICATIONS

- Overall Square Footage: 730 Sqm
- Overall Capacity: 397 People
- Overall Seated Capacity: 253 People
- Outdoor: 144 People

DETAILS

Offering stunning views of the city. This contemporary Italian-American restaurant transforms into a high-energy experience at dusk. Tuck into sharing portions of LAVO's signature dishes such as the Chicken Parmigiano and the famous LAVO Meatball. Be sure to leave space for our 20 Layer Chocolate Cake. Sip handcrafted cocktails and dance to live DJ sets at the outdoor bar and terrace.

HIGHLIGHTS

- 57th storey sprawling outdoor patio and bar
- 34 outdoor tables with stunning city/bay views
- Multi-level dining area
- DJ booth in main dining room to elevate the energy



ENTRANCE



BAR



STAIRS TO MAIN DINING ROOM



MAIN DINING ROOM



TERRACE



TERRACE